

S-17
CATALOG

Vogt®

**Forged Steel
Strainers**



Vogt Valves A History in the Making

In the late 1890s, Vogt pioneered the early development of ammonia absorption refrigeration systems that made artificial ice. This business, plus Vogt's fledgling boiler business, created an internal need for quality valves that initiated Vogt's early entry into the valve manufacturing business.

The early reputation of Vogt's quality valves and rapidly growing petroleum processing industry created an outside demand that would firmly establish Vogt in the mass production of high-quality forged steel valves.

For more than 100 years, Vogt's leadership has been evident in the production of forged steel gate, globe, angle and check valves in most popular materials, trims and bonnet configurations.

Today, Vogt valves support a worldwide network of distributors with access to the world's largest capability for manufacturing of forged steel valves.

Table of Contents

Page #	
2	Product Range and Design standards
3	1271 #800 Strainers – 2000 WOG
4	2271 #1500 Strainers– 3000 WOG
5	62271 #2500 Strainers
6	Material Table and Optional Versions

Y-Type Strainers

Size	Class						
	800	150	300	600	900	1500	2500
½" - 2"			Forged construction up to 2"				
3" - 12"		Forged or Cast construction above 2"					
14" - 16"							
18" - 24"							

- Forged construction up to 2"
- Forged or Cast construction above 2"
- Standard bolted bonnet
- Class 1500 and above available in pressure seal design

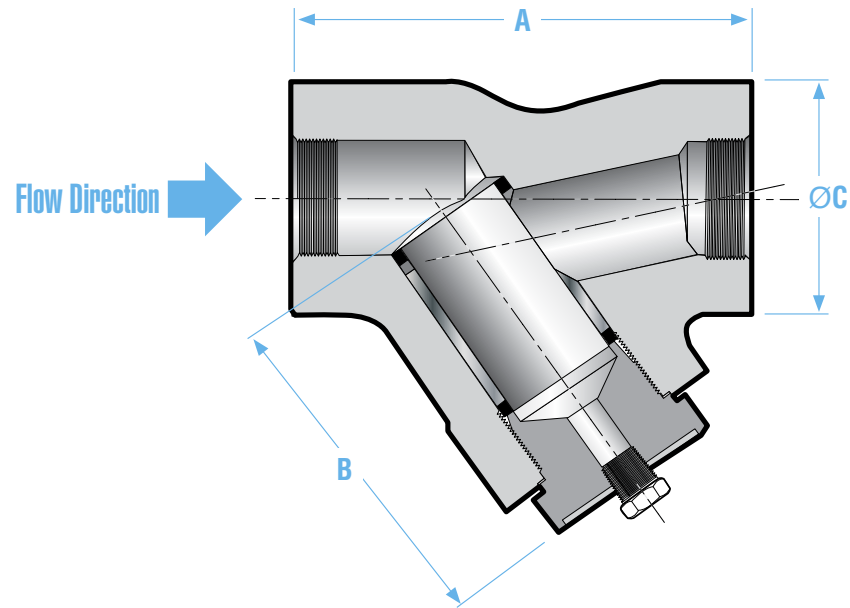
Standard and Optional Construction

Part	Construction	Standard	Options
Body/Bonnet	Forged	ASTM A 105N	ASTM A182 F316/F316L ASTM A182 F321/F321H ASTM A182 F11 ASTM A182 F22
Screen	40 Mesh 31 Gauge	316 SS	Other mesh and gauge configurations available on request
Nameplate		Aluminum	Stainless Steel
Gasket	Flat	Carbon Steel	Options of Spiral wound 316L + Graphite.

Strainer

Type 2000 "Y" Type for Air, Water & Oil Service
ANSI Class 800

Horizontal or Vertical
Screw Bonnet
Replaceable Screen



STRAINERS ARE FURNISHED WITH 40 MESH, 31 GAUGE TYPE 316 STAINLESS STEEL SCREEN.

CONNECTION	SERIES	BODY/BONNET	RATING	
Threaded Socket Weld SW	1271	A105	2000 PSI @ 100 °F	206.8 BAR @ 38 °C

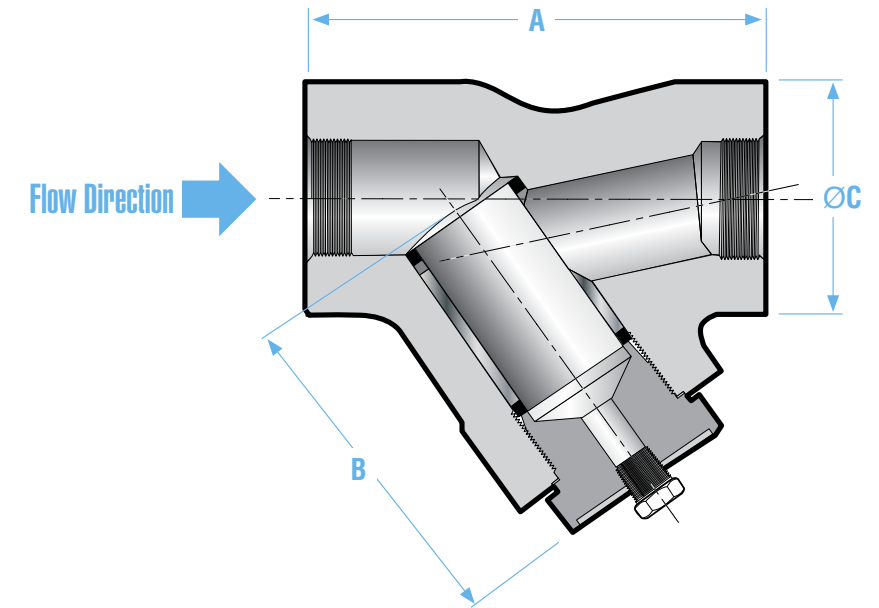
Dimensions

SIZE	A	B	C	APPROX. WEIGHT lbs./Kg	Cv	
-03	NPS 3/8	4.33	3.15	1.5	4.2	2.5
	DN 10	110	80	38	1.9	
-04	NPS 1/2	4.33	3.15	1.5	4.2	4.0
	DN 15	110	80	38	1.9	
-05	NPS 3/4	4.33	3.15	1.5	4.2	6.5
	DN 20	110	80	38	1.9	
-06	NPS 1	5.59	4.09	2.17	8.6	14.0
	DN 25	142	104	55	3.9	
-07	NPS 1 1/4	5.59	4.09	2.17	8.6	23.0
	DN 32	142	104	55	3.9	
-08	NPS 1 1/2	6.69	5.83	2.95	18.0	32.0
	DN 40	170	148	75	8.2	
-09	NPS 2	7.09	5.91	3.31	21.1	52.0
	DN 50	180	150	84	9.6	

Strainer

Type 3000 "Y" Type for Air, Water & Oil Service
ANSI Class 1500

Horizontal or Vertical
Screw Bonnet
Replaceable Screen



STRAINERS ARE FURNISHED WITH 40 MESH, 31 GAUGE TYPE 316 STAINLESS STEEL SCREEN.

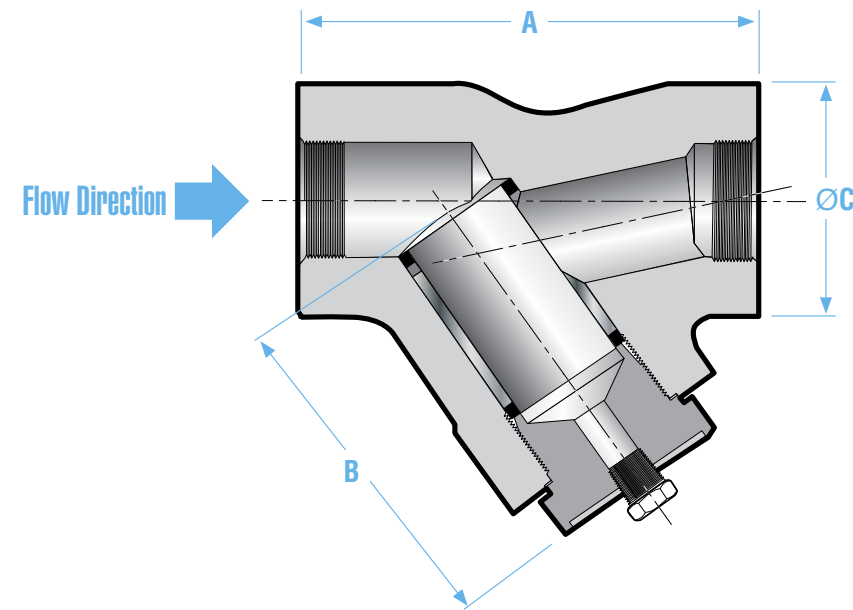
CONNECTION	SERIES	BODY/BONNET	RATING	
Threaded Socket Weld SW	2271	A105	3705 PSI @ 100 °F	255.3 BAR @ 38 °C

Dimensions

SIZE	A	B	C	APPROX. WEIGHT lbs./Kg	Cv	
-03	NPS 3/8	4.33	3.15	1.5	4.2	2.5
	DN 10	110	80	38	1.9	
-04	NPS 1/2	4.33	3.15	1.5	4.2	4.0
	DN 15	110	80	38	1.9	
-05	NPS 3/4	5.59	4.09	2.17	8.6	6.5
	DN 20	142	104	55	3.9	
-06	NPS 1	5.59	4.09	2.17	8.6	14.0
	DN 25	170	148	75	8.2	
-07	NPS 1 1/4	6.69	5.83	2.95	18	23.0
	DN 32	170	148	75	8.2	
-08	NPS 1 1/2	6.69	5.83	2.95	18	32.0
	DN 40	170	148	75	8.2	
-09	NPS 2	7.09	5.91	3.31	21.1	52.0
	DN 50	180	150	84	9.6	

Strainer
ANSI Class 2500 "Y" Type for Air, Water & Oil Service

Horizontal or Vertical
Screw Bonnet
Replaceable Screen



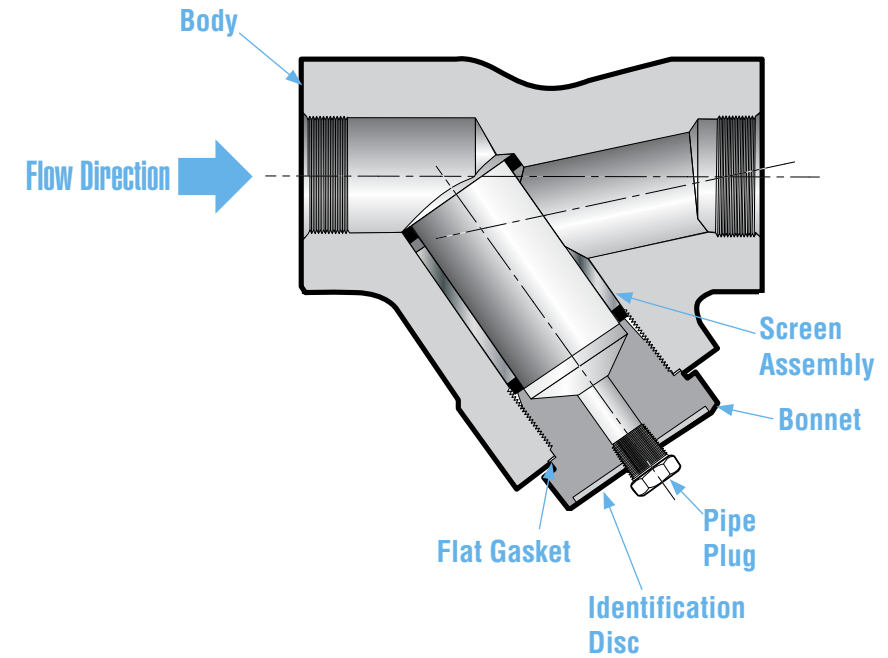
STRAINERS ARE FURNISHED WITH 40 MESH, 31 GAUGE TYPE 316 STAINLESS STEEL SCREEN.

CONNECTION	SERIES	BODY/BONNET	RATING	
Threaded Socket Weld SW	62271	A105	6170 PSI @ 100 °F	425.4 BAR @ 38 °C

Dimensions

SIZE	A	B	C	APPROX. WEIGHT lbs./Kg	Cv	
-03	NPS 3/8	5.59	4.09	2.17	8.6	2.5
	DN 10	142	104	55	3.9	
-04	NPS 1/2	5.59	4.09	2.17	8.6	4.0
	DN 15	142	104	55	3.9	
-05	NPS 3/4	5.59	4.09	2.17	8.6	6.5
	DN 20	142	104	55	3.9	
-06	NPS 1	6.69	5.83	2.95	18	14.0
	DN 25	170	148	75	8.2	
-07	NPS 1 1/4	6.69	5.83	2.95	18	23.0
	DN 32	170	148	75	8.2	
-08	NPS 1 1/2	7.09	5.83	3.31	21.1	32.0
	DN 40	180	148	84	9.6	
-09	NPS 2	8.86	5.91	4.53	26.8	52.0
	DN 50	225	150	115	12.2	

Strainer
Construction Materials



Part	Construction	Materials
Body/Bonnet	Forged	ASTM A 105N
		ASTM A182 F11, F22, F91, F316
Screen	40 Mesh 31 Guage Other on request	316 SS
		Other on request
Nameplate		Aluminum
Gasket	Flat	Carbon Steel
Plug	Threaded NPT	ASTM A 105N or body material



Vogt Valves has established industry leadership in the design and manufacture of its products. When properly selected, this Vogt Valves product is designed to perform its intended function safely during its useful life. However, the purchaser or user of Vogt Valves products should be aware that Vogt Valves products might be used in numerous applications under a wide variety of industrial service conditions. Although Vogt Valves can (and often does) provide general guidelines, it cannot provide specific data and warnings for all possible applications. The purchaser/user must therefore assume the ultimate responsibility for the proper sizing and selection, installation, operation and maintenance of Vogt Valves products. The purchaser/user should read and understand the Installation Operation Maintenance (IOM) instructions included with the product, and train its employees and contractors in the safe use of Vogt Valves products in connection with the specific application.

While the information and specifications contained in this literature are believed to be accurate, they are supplied for informative purposes only and should not be considered certified or as a guarantee of satisfactory results by reliance thereon. Nothing contained herein is to be construed as a warranty or guarantee, express or implied, regarding any matter with respect to this product. Because Vogt Valves is continually improving and upgrading its product design, the specifications, dimensions and information contained herein are subject to change without notice. Should any question arise concerning these provisions, the purchaser/user should contact Vogt Valves at any one of its worldwide operations or offices.

© 2017 Vogt Valve inc, Stafford, Texas, USA. Vogt Valve are registered trademarks of OMB Valves SpA, VOGTSTRAINER 11/17

www.vogtvalves.com
A Member Of OMB Valve Group