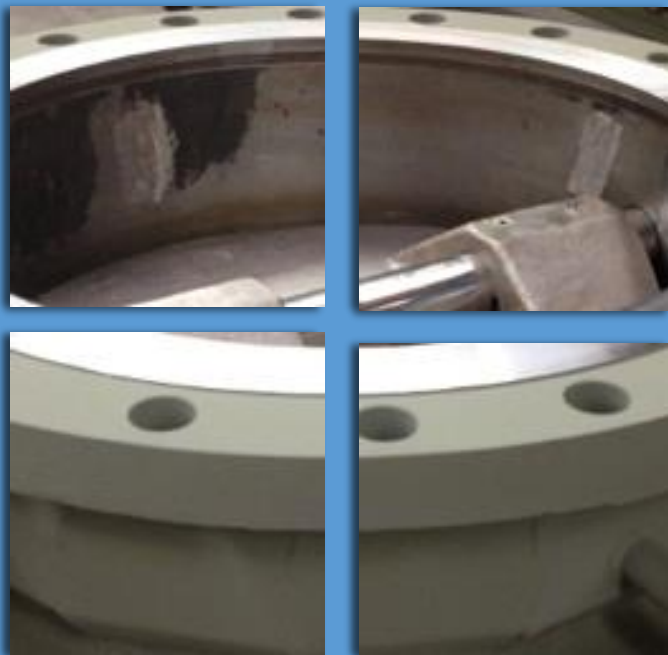


Vogt

Butterfly...



...Non Slam Check





A History in the Making

In the late 1890s, Vogt pioneered the early development of ammonia absorption refrigeration systems that made artificial ice. This business, plus Vogt's fledgling boiler business, created an internal need for quality valves that initiated Vogt's early entry into the valve manufacturing business.

The early reputation of Vogt's quality valves and rapidly growing petroleum processing industry created an outside demand that would firmly establish Vogt in the mass production of high-quality forged steel valves.



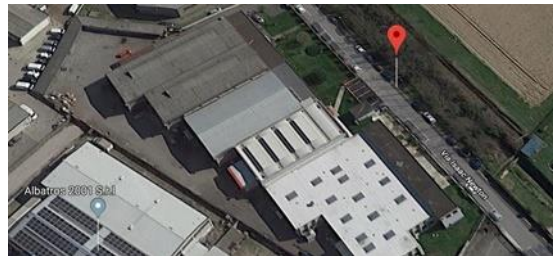
For more than 100 years, Vogt Valves's leadership has been recognized in the production of valves for the power industry.



Vogt Valves, reloaded...

With a renewed spirit and a brand new home in Stafford, Texas, and in Settimo Milanese, Italy, we are now ready to meet the request of the most challenging applications in the industry.

- **Triple Offset Butterfly Valves**
- **High Performance Butterfly Valves**
- **Dual Plate Check Valves**
- **Axial Check Valves**

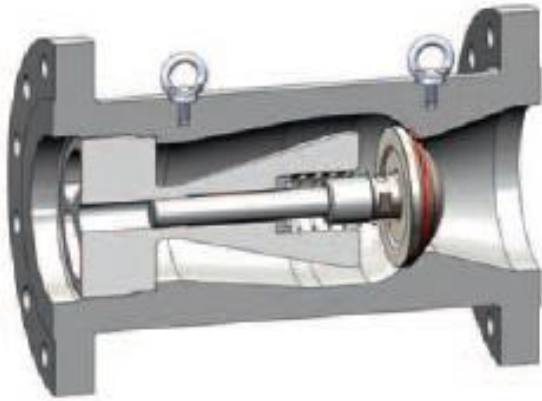


Vogt Valves inc.
13800 Promenade Blvd, Stafford
TX 77477, USA

Vogt Valves s.r.l.
Via Newton 4, Settimo Milanese
MI 20019, Italy

www.vogtvalves.com

Non-Slam Axial Check Valves



Carbon, Alloy and Stainless, Duplex and Superduplex 254SMO, Aluminium Bronze Nickel Alloy, Titanium and CRAs

Design to API609

Only USA or European materials

- Quarter-turn non-rubbing & frictionless sealing
- Inherently fire-safe to API 607
- Resilient solid or laminated seal assures ZERO-LEAKAGE according to API 598 "resilient seated" and API 6D
- Bi-directional torque seated design
- Stellite® hard-faced integral seat
- Optional forged body enhances material quality
- Optimized disc design for maximum low capacity
- Anti Blow-Out stem design in full compliance with API 609
- Hardened bearings ensure hi-cycle service and long life
- Packing & bottom flange low fugitive emissions in compliance with ISO 15848 and API 622
- Ideal for direct replacement of gate, high performance butterfly, plug and ball valves

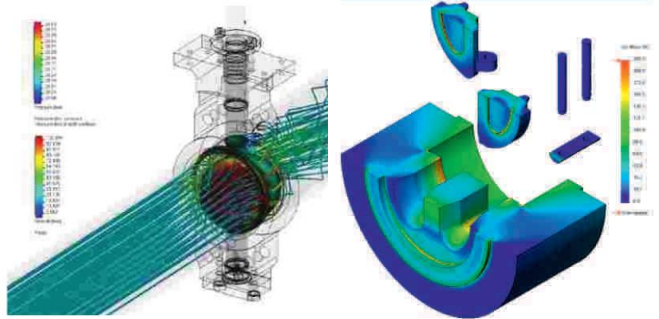
	AXC-F						AXC-C				
	API6D						API6D				
	Flanged & BW						Flanged & BW				
	#150	#300	#600	#900	#1500	#2500	#150	#300	#600	#900	#1500
2"											
3"											
4"											
6"											
8"											
10"											
12"											
16"											
24"											
36"											
42"											
48"											

There is no... or equal

Engineered for Severe Service

Every new design is verified and validated through a deep FEA on valve main components. All valves are particularly designed to minimize friction losses and to allow for a regular streamline flow path. Vogt Engineering Dept. perform CFD analysis to confirm CV rating for each model.

Please refer to Vogt Eng Dept. for any customized analysis (seismic, thermal, etc.)



Built to Exacting Standards

With more than 130 years of experience in the oil & gas and power industry, Vogt has developed a strong expertise in the manufacturing of engineered products from casting and forgings.

Vogt products are installed and used worldwide in hundreds of plants and recognized for superior workmanship and reliability.

Vogt Engineers are active members of the main international Standardization bodies.



Tested to Perform

All valves are subject to the applicable standard tests requirements in Vogt plants in Stafford, US and Settimo, Italy.

Special test such as High Temperature, Cryogenics and Gas test can be performed in house.

New design are subject to strict prototype testing protocols and when required to Type Test by the End Users

Vogt test all its product to real life service condition in its R&D test loop which simulates service conditions and verify CV, vibrations and noise.

Vogt plants are certified to ISO9001 Quality Management Standard. Vogt products are qualified to PED, ATEX and specific country approval procedures





Standard and Exotic Materials

Vogt now offer the industry largest selection of base material sourced from the highest qualified Mills **only** from USA and Western Europe.

Special material valves are machined from casting, forging or drawn bars all valves are supplied with the original Mill certificates as a guarantee of its origin.

Material Group	Common Name	Vogt Definition	Nominal Type	UNS	Forging Spec. (ASTM)	Casting Spec. Equivalent (ASTM)		
Carbon Steel	CS	A105N	C-Mn-Fe	K03504	A105N	A216-WCB		
Low Temperature Carbon Steel	LTCS	LF1			A350-LF1			
	LTCS	LF2	C-Mn Si	K03011	A350-LF2	A352-LCB/ A352-LCC		
	LTCS	LF3	3.1/2Ni	K32025	A350-LF3	A352-LC3		
	LTCS	LF6	C-Mn-Si-V		A350-LF6			
Low Alloy Steel	Moly Steel	F1	C-1/2Mo	K12822	A182-F1	A217-WC1		
	Alloy Steel Chrome Moly	F11 cl2	1.1/4Cr-1/2Mo	K11572	A182-F11	A217-WC6		
F22 cl3		2.1/4Cr-1Mo	K21590	A182-F22 cl2	A217-WC9			
F5		5Cr-1/2Mo	K41545	A182-F5	A217-C5			
F9		9Cr-1Mo	K90941	A182-F9	A217-C12			
High Alloy Steel		F91	9Cr-1Mo-V	K90901	A182-F91	A217-C12A		
		F304	18Cr-8Ni	S30400	A182-F304	A351-CF8		
Stainless Steel		F304L	18Cr-8Ni (C 0.03)	S30403	A182-F304L	A351-CF3		
		F304H	18Cr-8Ni	S30409	A182-F304H	A351-CF8		
		F310	25 Cr-20 Ni	S31000	A182-F310	A351-CK20		
		F316	16Cr-12Ni-2Mo (C 0.08)	S31600	A182-F316	A351-CF8M		
	Austenitic Stainless Steel	300 series Stainless Steel	F316L	16Cr-12Ni-2Mo (C 0.03)	S31603	A182-F316L	A351-CF3M	
			F316H	16Cr-12Ni-2Mo	S31609	A182-F316H	A351-CF8M	
		F316TI		S31635	A182-F316TI			
		F321	18Cr-10Ni-Ti	S32100	A182-F321	-		
		F321H	18Cr-10Ni-Ti	S32109	A182-F321H	-		
		F347	18Cr-10Ni-Cb(Nb)	S34700	A182-F347	A351-CF8C		
		F347H	18Cr-10Ni-Cb(Nb)	S34709	A182-F347H	A351-CF8C		
		F317L	18-21Cr-1-13Ni 3-4Mo	S31703	A182-F317L	A351-CG3M		
		Martensitic Stainless Steel	F6a-13Cr - 410	F6	13Cr	S41000	A182 F6	A351-CA15
			F6NM	F6NM	13Cr- 4 Ni	S41500	A182 F6NM	A351-CA6NM
17-4-PH	17-4-PH			S17400	A564 UNS S17400	ASTM A494 CU5MCuC		
Super Austenitic Steel	Super Austenitic 6Mo	F44	20Cr-18Ni-6Mo	S31254	A182-F44	A351-CK3MCuN		
		904L	44Fe-25Ni-21Cr-Mo	N08904	B649-N08904	-		
		926		N08926	B649-N08926	-		
NiCrMo S.Steel	Alloy 20	ALLOY 20	28Ni-19Cr-Cu-Mo	N08020	A182-F20	A351-CN7M		
	Alloy 28	ALLOY 28		N08028				
Duplex Steel	Duplex 2205	F51	22Cr-5Ni-3Mo-N	S31803 S32205	A182-F51	A890-Grade 4A – A995 CD3MN		
Super Duplex Steel	Super Duplex 2507	F53	25Cr-7Ni-4Mo-N	S32750	A182-F53	A890 5A - A351-CD4MCu		
	Super Duplex	F55	25Cr-7Ni-3.5Mo-N-Cu-V	S32760	A182-F55	A351 GR CD3MWCuN		
	Ferrallium 255	255		S32550		ASTM A487 gr 4C		
Nickel	Nickel 200	Nickel	99/95Ni	N02200	B564-N02200	A494-CZ-100		
Nickel-Iron Alloy	Incoloy® 800	ALLOY 800	33Ni-42Fe-21Cr	N08800	B564-N08800	A351-CT15C		
	Incoloy® 800H	ALLOY 800H		N08810	B564-N08810			
	Incoloy® 800HT	ALLOY 800HT		N08811	B564-N08811			
	Incoloy® 825	ALLOY 825	42Ni-21.5Cr-3Mo-2.3Cu	N08825	B425-N08825	A494-CU5MCuC		
Nickel Superalloys	Inconel® 600	ALLOY 600	72Ni-15Cr-8Fe	N06600	B564-N06600	A494-CY40		
	Inconel® 625	ALLOY 625	60Ni-22Cr-9Mo-3.5Cb	N06625	B564-N06625*	A494-CW-6MC		
	Inconel® 718	ALLOY 718	52.5Ni-19Cr-3Mo	N07718	B637-N07718			
	Hastelloy® B2	ALLOY B2	65Ni-28Mo-2Fe	N10665	B564-N10665*			
	Hastelloy® C-276	ALLOY C276	54Ni-15Cr-16Mo	N10276	B564-N10276*	A494-CW-2M		
	Hastelloy® C-22	ALLOY C-22		N06022	B462-N06022			
Nickel-Copper	Monel® 400	MONEL® 400	67Ni-30Cu	N04400	B564-N04400	A494-M35-1		
	Monel® K500	MONEL® 500		N05500	B865-N05500			
Titanium	Titanium	TITANIUM Gr 2	98Ti	R50400	B381-F2	B367-C2		
		TITANIUM Gr 5			B381-F5			

Vogt Valves inc.

13800 Promenade Blvd, Stafford
TX 77477, USA

Vogt Valves s.r.l.

Via Newton 4, Settimo Milanese
MI 20019, Italy

www.vogtvalves.com

A Member of OMB Valve Group